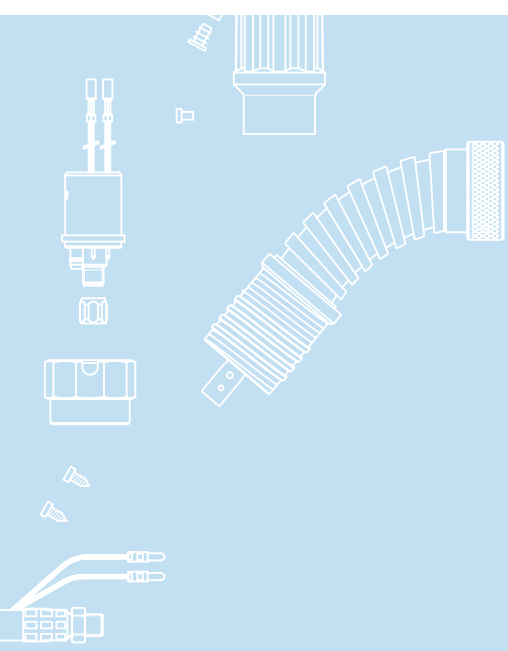




Classic TBI 360 E3

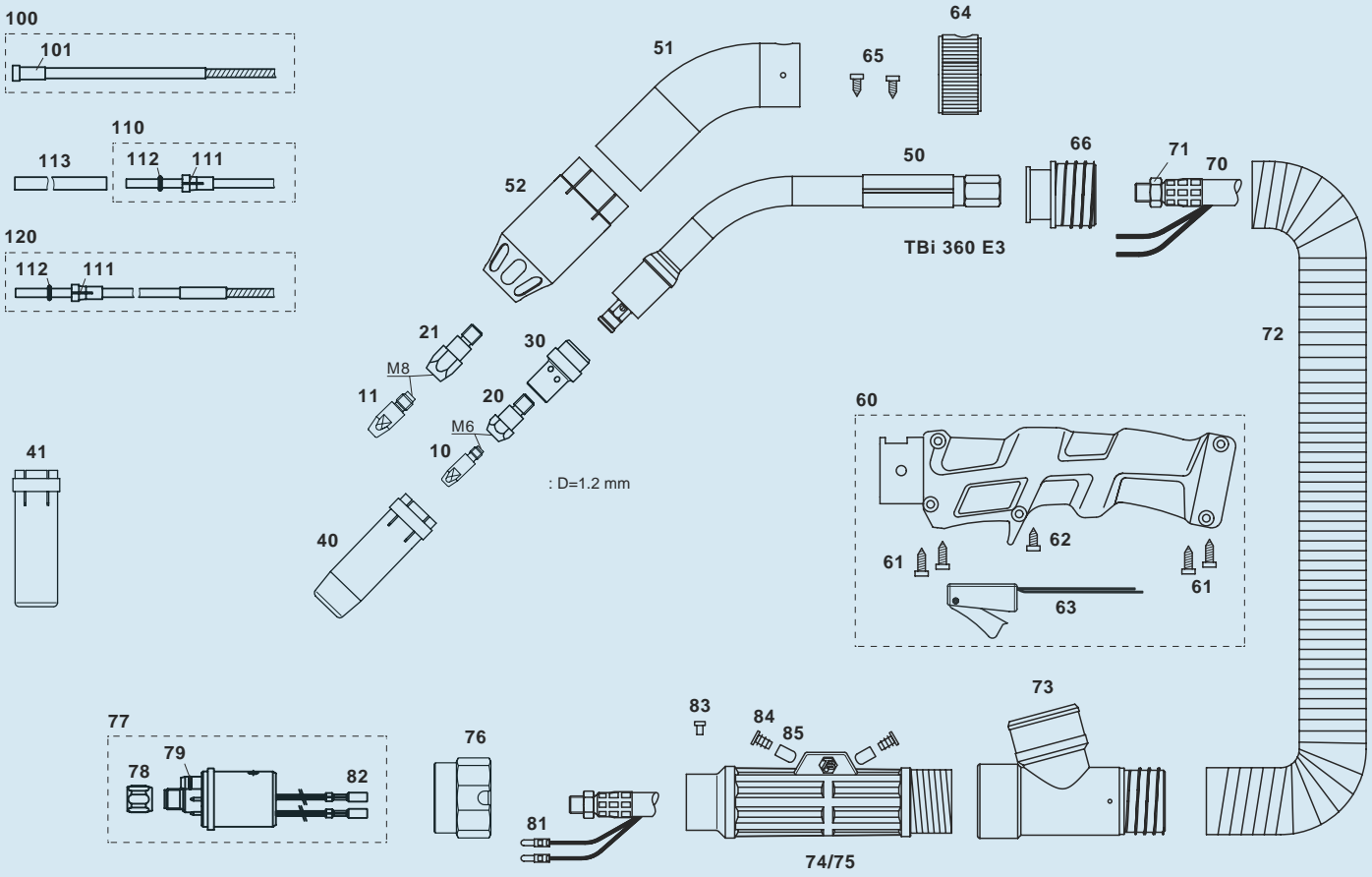


	TBi 360

		MIG/MAG TBI 360 E3
(10 . . .)	60%	
- CO ₂ :	:	300 A 330 A
		1.0 - 1.6 MM
		12 /
		IEC 60974-7
	1.5 m	2.00 kr

TBi 360 E3	ESG,	50°	214P3X13_0*
*	3, 4	5	





>	10	M6x28, Ecu	340P_1069*
	10	M6x28, CuCrZr	340P_3069*
	10	M6x28 Alu, Ecu	341P_1069*
	11	M8x30, Ecu	340P_1262*
	11	M8x30, CuCrZr	340P_3262*
	11	M8x30 Alu, Ecu	341P_1262*

>	20	M6 / L=28 mm	342P006014
	20	M6 / L=32 mm	342P006114
	21	M8 / L=28mm	342P008014
	21	M8 / L=34mm	342P008114

>	30		114P002007
	30		114P002005
	30		114P002011

>	40	., 16.0 mm	345P012010
	41	., 20.0 mm	345P011010

	50	TBi 360 E3	214P001036
	51	TBi 360/511/7G/7W E3	234P102035
	52	TBi 360/511/7G/7W E3	200P002043
	60	, T i E2/E3	380P220606
	61	3.5x14.0 mm	100P797101

	62	, TBi E3	100P008411
	63	,	600P101046
	64	,	200P102001
	65	,	100P797103
	66	, 38	274P102011
	70	, 50	359P5011_0*
	71	6- M10x1	101P002005
	72	D=38 mm	306P384600
	73	38 mm	200P101012
	74	(.75)	701P102070
	75	(.74)	701P102071
	76		701P001013
	77	ESG	701P001048
	78	M10x1	701P002005
	79	4.0x1.0 mm ()	365P100040
	81		375P000004
	82		375P000003
	83	M4x6	100P008401
	84		200P102006
	85		395P000004

>	100	(x.40 m)	1.0-1.2	324P2045_4*
	100	(.40 m)	1.2-1.6	324P2545_4*
	101	4.5 mm		330P025045
	110	(x.50 m)	1.0-1.2	326P2040_5*
	110	(x.50 m)	1.2-1.6	326P2747_5*
	111	/	4.0mm	331P020040
	111	/	4.7mm	331P027047
	112	3.50x1.50 mm ()		365P150035
	113	/	5x4.4 mm, L=150mm	329P544150
	120	/	Alu (x.50 m)	1.0-1.2 328P2040_A*

> = , ,08 0,8 3 3 .

© 2012 TBi Industries GmbH. All rights reserved. Subject to change without notice. Warranty only when using original TBi consumables and spare parts. Excerpts and reprints not permitted. Nr. DOKP113532, 07/2012.